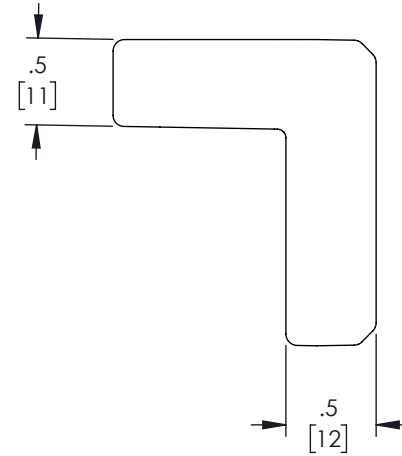
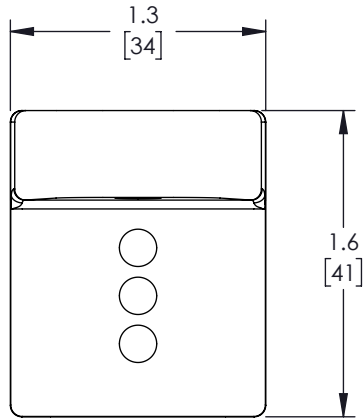
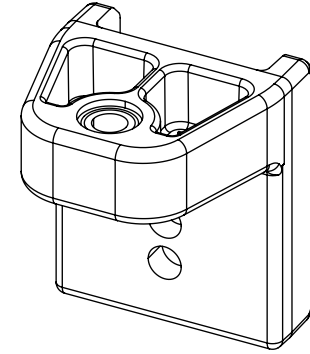
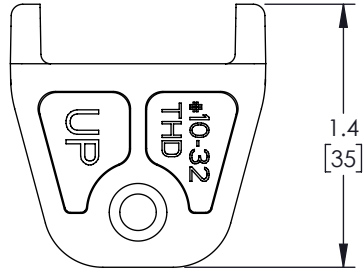



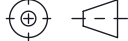
THE INFORMATION CONTAINED IN THIS DRAWING IS THE SOLE PROPERTY OF TRANSTECTOR, INC.. ANY REPRODUCTION IN PART OR WHOLE WITHOUT THE WRITTEN PERMISSION OF TRANSTECTOR, INC. IS PROHIBITED.

REVISIONS			
REV	DESCRIPTION	DATE	APPROVED
A	INITIAL RELEASE	04/19/2022	WDIBELLA



NOTES:

1. ALL HARDWARE INCLUDED

UNLESS OTHERWISE SPECIFIED, DIMENSIONS ARE IN INCHES [mm] OVERALL CABLE LENGTH TOLERANCE: ≤12 [305] = +1 [25] / -0 >12 [305] ≤60 [1524] = +2 [51] / -0 >60 [1524] ≤120 [3048] = +4 [102] / -0 >120 [3048] ≤300 [7620] = +6 [152] / -0 >300 [7620] = +5% / -0 ALL OTHER DIMENSIONAL TOLERANCES: .X = ± .2 [5] FRACTIONS ± 1/32 .XX = ± .02 [.5] ANGLES ± 1° .XXX = ± .005 [.13]	APPROVALS DRAWN BY BPUCHASKI	DATE 04/19/2022	 an INFINITO brand	10701 Airport Road, Hayden, ID 83835 Phone: 1.208.635.6400 Fax: 1.208.955.2041		
	CHECKED BY DFRISIELLO	DATE 04/19/2022			CATEGORY ENCLOSURES	
THIRD-ANGLE PROJECTION 	APPROVED BY WDIBELLA	DATE 04/19/2022	PRODUCT DESCRIPTION PANEL KIT FOR PC201608 ENCLOSURES THAT MOUNT ON RAILS			
CONFIGURATION DETAILS OF UNDIMENSIONED FEATURES MAY VARY		COLOR VARIATIONS MAY OCCUR	SIZE A	CAGE CODE 30992	ITEM NO. TEPC20-BPKG	REV. A
SCALE: NONE			CAD FILE: TEPC20-BPKG.SLDDRW		SHEET 1 OF 1	