

18x16x10 Polycarbonate Weatherproof Outdoor IP24 NEMA 3R Enclosure,
120 VAC MNT PLT, Solid State Thermostat Heat & Fan DKG Y

TEPC181610-1HFS



Features

- High-Impact, UV Resistant Polycarbonate (Dark Gray)
- Stainless steel latches with padlock eye
- NEMA Type 3R / IP24 rated
- Fully gasketed vented lid with filters & user installed wall mounting brackets
- Features aluminum mounting plate with surge protected duplex 120 VAC outlets & solid state thermostat controlled heating & cooling system

Applications

- Remote Wireless LAN WiFi equipment installations
- Indoor and outdoor installations
- Rapid Deployment Installations
- Corrosive environments & hotspot applications
- Protection of equipment from theft or damage

Description

The box is a rugged weatherproof enclosure that is ideal for both indoor and outdoor applications. Constructed from High-Impact, UV Resistant Polycarbonate material that provides superior durability to impacts and ease of modification while maintaining minimum weight. It is well suited for high temperature or corrosive environments. The lid includes two vents with installed rain guards and filters. The included wall mount brackets come uninstalled and bagged with their hardware inside of the enclosure. Once the brackets are installed the enclosure can be mounted directly to any flat wall surface provided proper screws are used into secure studs. The brackets, once installed, also allow you to use our TEF-PMT pole mount kits. The lid features a non-metallic hinge system that allows for quick removal & can be reattached just as quickly without the need for any tools. The enclosure comes with a pair of stainless-steel latches with padlock eyes allowing you to secure the enclosure from tampering. The enclosure comes in a Dark Gray (Pantone 422C)

Mounting Plate

The aluminum mounting plate included with the TEPC181610-1HFS features standard surge protected duplex 120 VAC outlets and a terminal block for easy hook up to externally provided line power. The enclosure also features holes for two N-Bulkhead lightning protectors or connectors, a grounding lug and cable conduit connector.

Heating & Cooling

To help ensure trouble-free operation of electronic equipment, proper operating temperatures inside an enclosure need to be controlled. With the built-in heaters & dual cooling fans, internal temperatures can be better maintained. This model is ideal in hot and/or cold environments. The heaters & fans are controlled by an integral high current solid state AC relays. The relays features Zero Cross Detection for EMI reduction.

For Heating the TEPC181610-1HFS includes L-com's exclusive solid state temperature controller that utilizes dual 200W (400W total) heaters. The controller features improved temperature set point accuracy. The heaters turn on when the internal temperature drops to 16° F (-9° C) ±5° and turns off when the temperature hits 25° F (-4° C) ±5°. The heaters do not require the use of any of the AC outlets, leaving them all available for your equipment. No extra room for the heaters is required since they are mounted underneath the plate.

For Cooling the TEPC181610-1HFS includes our exclusive solid state temperature controller connected to dual 16.4W (32.8W total) fans. The high airflow, low noise fans used allow warm air to be actively pushed out the top vent while the second fan on the lower vent actively pulls in outside air into the enclosure. Filters for both ports prevent foreign objects or debris from entering the enclosure. The controller

Click the following link (or enter part number in "SEARCH" on website) to obtain additional part information including price, inventory and certifications: [18x16x10 Polycarbonate Weatherproof Outdoor IP24 NEMA 3R Enclosure, 120 VAC MNT PLT, Solid State Thermostat Heat & Fan DKG Y TEPC181610-1HFS](#)

18x16x10 Polycarbonate Weatherproof Outdoor IP24 NEMA 3R Enclosure,
120 VAC MNT PLT, Solid State Thermostat Heat & Fan DKG Y



TEPC181610-1HFS

features improved temperature set point accuracy. The fans turn on when the internal temperature rises to 93° F (34° C) ±5° and turn off at 84° F (29° C) ±5°. Like the heaters, the cooling fans do not require the use of any of the AC outlets, leaving them all available for your equipment.

The TEF-PMT series of pole mounting kits allow the populated enclosure to be securely mounted to a variety of different size poles.

Compatible versions include TEF-PMT13, TEF-PMT16, TEF-PMT28, TEF-PMT29, TEF-PMT30 & TEF-PMT33

Size

Outer Height	18.9 in	[480.06 mm]
Outer Width	16.8 in	[426.72 mm]
Outer Depth	11.3 in	[287.02 mm]
Inner Height	18.2 in	[462.28 mm]
Inner Width	16.2 in	[411.48 mm]
Inner Depth	9.7 in	[246.38 mm]
Weight	19 lbs	[8.62 kg]
Enclosure Material	Polycarbonate	

Environmental Specifications

Temperature Rating	-40° to 265° F [-40° to 129° C]
NEMA Rating	3R
Ingress Protection (IP) Rating	IP24

Compliance Certifications

UL Listed	No
-----------	----

Transtector Systems specializes in protection of highly sensitive, low voltage equipment through its patented, non-degrading silicon diode technology and custom filters. Our power quality expertise translates into a diverse product offering including AC, DC, and signal applications as well as integrated cabinets, power distribution panels and EMP hardened devices.

Click the following link (or enter part number in "SEARCH" on website) to obtain additional part information including price, inventory and certifications: [18x16x10 Polycarbonate Weatherproof Outdoor IP24 NEMA 3R Enclosure, 120 VAC MNT PLT, Solid State Thermostat Heat & Fan DKG Y TEPC181610-1HFS](https://www.transtector.com/18x16x10-polycarbonate-weatherproof-outdoor-ip24-nema-3r-tepc181610-1hfs-p.aspx)

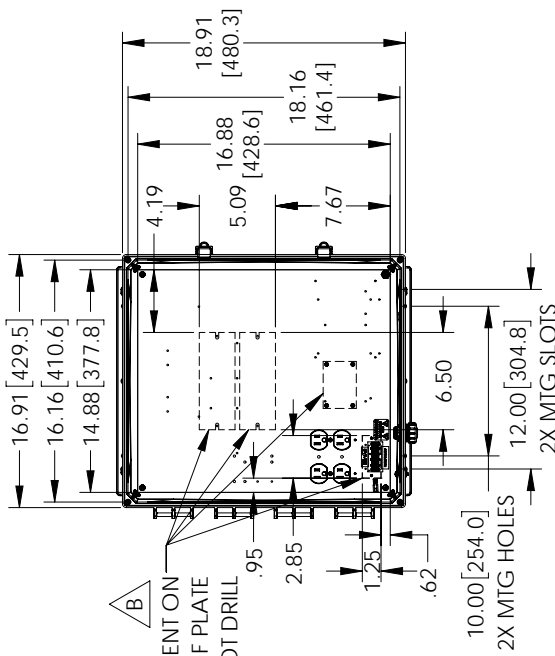
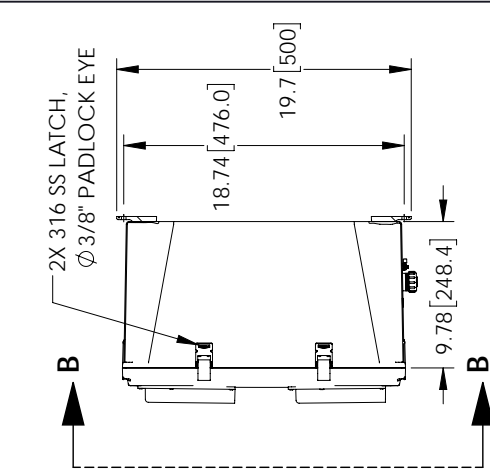
URL: <https://www.transtector.com/18x16x10-polycarbonate-weatherproof-outdoor-ip24-nema-3r-tepc181610-1hfs-p.aspx>

The information contained in this document is accurate to the best of our knowledge and representative of the part described herein. It may be necessary to make modifications to the part and/or the documentation of the part, in order to implement improvements. Transtector reserves the right to make such changes as required. Unless otherwise stated, all specifications are nominal. Transtector does not make any representation or warranty regarding the suitability of the part described herein for any particular purpose, and Transtector does not assume any liability arising out of the use of any part or documentation.

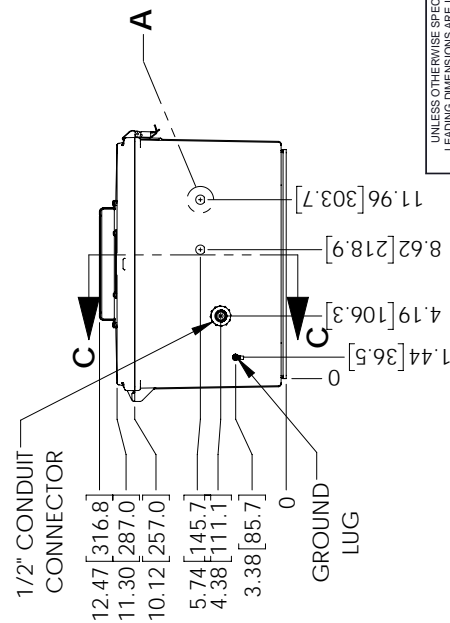
18x16x10 Polycarbonate Weatherproof Outdoor IP24 NEMA 3R Enclosure,
120 VAC MNT PLT, Solid State Thermostat Heat & Fan DKGY

TEPC181610-1HFS CAD Drawing

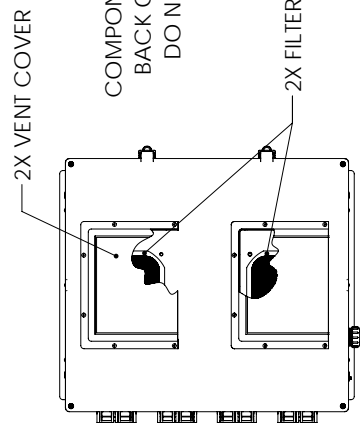
REVISIONS			
REV.	DESCRIPTION	DATE	APPROVED
B	ECN 10162	10/16/2019	BGATES



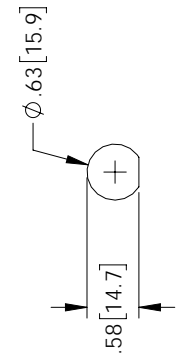
LID NOT SHOWN IN THIS VIEW FOR CLARITY



SECTION C-C



VIEW B-B



DETAIL A
2 PLACES

UNLESS OTHERWISE SPECIFIED LEADING DIMENSIONS ARE INCHES DIMENSIONS IN [] ARE MILLIMETERS

TOLERANCES:
X== 2 [5.08] FRACTIONS ± 1/32
XX== 01 [.25] ± 1/32
XXX== .005 [.13] ANGLES ± 1°

ALL DIMENSIONS SHOWN ARE FOR REFERENCE ONLY.
THIRD-ANGLE PROJECTION

THE INFORMATION AND DESIGN IN THIS DOCUMENT IS THE PROPERTY OF TRANSTECTOR, INC. ALL RIGHTS RESERVED.

SHEET 1 OF 1
SCALE N/A

TRANSTECTOR
an INFINITI brand
10701 Airport Road, Hayden, ID 83835
Phone: 1.208.635.6400 | 1.800.862.9110
Fax: 1.208.955.2041
www.transsector.com | e-mail: sales@transsector.com

CAGE DRAWN BY PART NUMBER
A 30992 BPUCHASK TEPC181610-1HFS REV B

REGULATORY COMPLIANCE:
EU ROHS DIRECTIVE (MOST RECENT RELEASED VERSION)
THESE COMMODITIES, TECHNOLOGY OR SOFTWARE WERE EXPORTED FROM THE UNITED STATES IN ACCORDANCE WITH THE EXPORT ADMINISTRATION REGULATIONS. DIVERSION CONTRARY TO U.S. LAW PROHIBITED.