

## Installation Instructions

### ALPU Max ALPU-M150



+1 (866) 912-1284 | +1 (208) 635-6400 | [www.transtector.com](http://www.transtector.com)

© 2023 Infinite Electronics, Inc. Transtector is a registered trademark of Infinite Electronics, Inc.

**Warning!**

Unit must be properly grounded prior to use. Failure to do so will result in voided warranty and possible equipment damage.

Thank you for your recent purchase of our surge protection solution.  
Your satisfaction with our product and service is important to us.  
If you have any questions, comments, or concerns, please contact us  
at +1.866.912.1284 or visit our website at [www.transtector.com](http://www.transtector.com).  
We look forward to continuing to serve your protection needs.

# Installation Instructions

## ALPU Max ALPU-M150

### WALL MOUNT INSTALLATION INSTRUCTIONS

1. Cable openings must be oriented towards the ground.
2. Open lid of unit to access wall mount holes (see Figure 1).
3. Use quantity 2 to 4 M3.5 (or #6) fasteners to secure to desired surface. If using only 2 fasteners, install per the following pairs (1,1), (2,2), or (3,3). (See Figure 2 for fastener configurations).
4. Do not torque fasteners greater than 1 Nm (8.8 in-lbf)  $\pm 10\%$ .

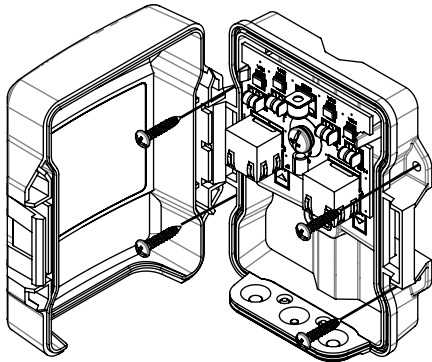


Figure 1 - Wall mount installation

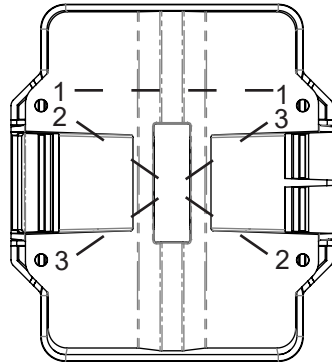


Figure 2 - Fastener configuration

### POLE MOUNT INSTALLATION INSTRUCTIONS

1. Cable openings must be oriented towards the ground.
2. Slide hose clamp or tie wrap through two slots on back of the unit (see Figure 3).
3. Align channel in unit with pole and secure with hose clamp. Do not over-tighten hose clamp as this may cause damage to the plastic bars in the hose clamp region of the unit.

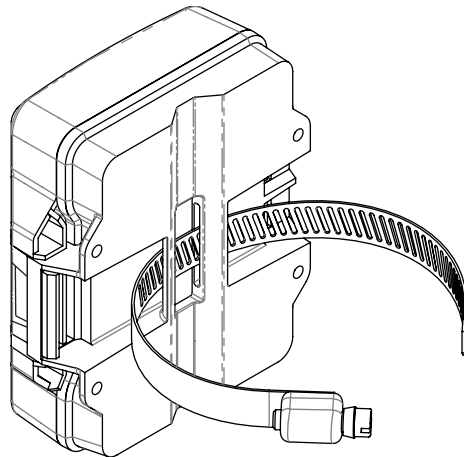


Figure 3 - Pole mount installation

### CABLE INSTALLATION INSTRUCTIONS

WARNING! - Ground lug must be secured as indicated below to ensure proper product performance.

1. Secure ground lug with M5 (#10) screw (provided as installed with unit). Torque to 1 Nm (8.8 in-lbf)  $\pm 10\%$  (see Figure 4).
2. Push the tear-away caps over the cable entry points out with a screwdriver or other small diameter, blunt object.
3. Verify that each cable is aligned with the opening directly below when closing the lid.
4. Lid should snap closed and a zip tie or tie wrap must be used as a locking feature (see Figure 5, tie wrap included).

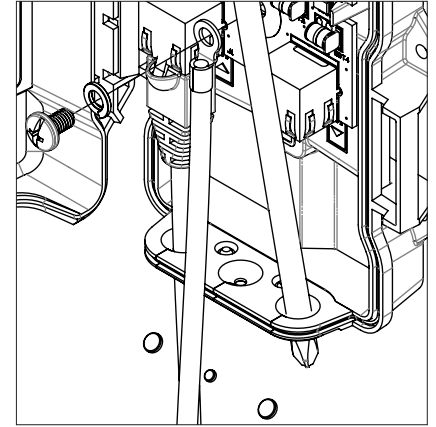


Figure 4 - Cable installation

### DRAIN PLUG REMOVAL INSTRUCTIONS (OPTIONAL)

1. To open optional drain holes, pull nubs found on grommet which are marked by a teardrop icon.
2. Plugs should tear away from grommet to reveal the drain holes (see Figure 6).

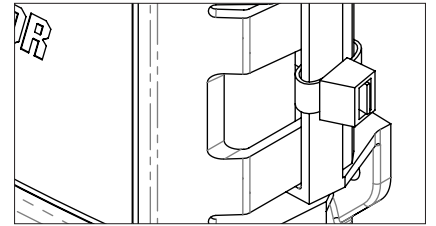


Figure 5 - Tie wrap placement

### DIELECTRIC GREASE APPLICATION

1. To protect the RJ45 connections from corrosion, apply enough of the provided dielectric grease to the plug end of each cable.
2. Ensure coverage across all pin contact areas on both RJ45 plugs prior to inserting for final installation (see Figure 8 below).

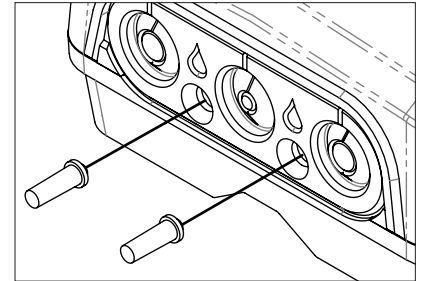


Figure 6 - Drain plug removal

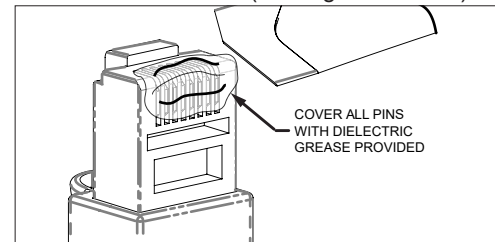


Figure 8 - Grease application

### ICON INFORMATION

1. There are three icons visible when the unit is open (see Figure 7). The icon located in center denotes orientation of the unit.
2. The icon with up arrow indicates unprotected signal entry, while the icon with down arrow indicates protected signal transmitted out.

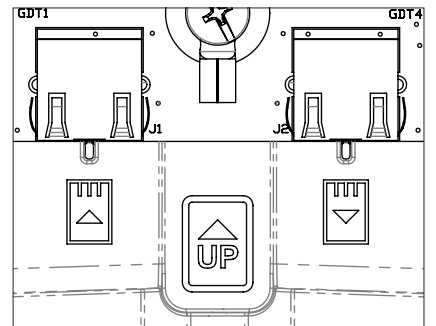


Figure 7 - Icon information