

THIS DRAWING HAS BEEN GENERATED AND IS MAINTAINED BY A CAD SYSTEM. CHANGES SHALL ONLY BE INCORPORATED AS DIRECTED BY THE DESIGN ACTIVITY.

REVISIONS					
ZONE	LTR	DESCRIPTION	ECO NO.	DATE	APPROVED
	01	PRE-PRODUCTION		6/11/2001	
	B	ADD SHEET 11 OF 11 FOR AUX RLY WIRING	6602	2/12/07	

INSTALLING YOUR TRANSTECTOR TRANSIENT VOLTAGE SUPPRESSION PRODUCT

UNLESS OTHERWISE SPECIFIED, DIM. IN INCHES BEFORE PLATING.
TOLERANCES ON: DECIMALS
FRACTIONS= \pm .xx= \pm .xxx= \pm
ANGLES= \pm .XXX= \pm

MATERIAL:

DRAWN	JDW	DATE	5/2/01
CHECKED	CDD	2/1/07	
ENGRG APPD	JAH	2/1/07	
PROJ APPD	MLH	2/5/07	
APPROVED			

TRANSTECTOR
SUPERIOR SURGE SUPPRESSION
Hayden Lake, ID 83835

TITLE INSTALLATION DIAGRAM
I2R SERIES

NOTICE: THE INFORMATION AND DESIGN CONTAINED HEREIN IS THE PROPERTY OF TRANSTECTOR SYSTEMS. WHO RESERVES ALL RIGHTS THERETO.

SIZE	CAGE	DRAWING NUMBER	REV
A	30992	1200-111	B
SCALE=	NONE		SHEET 1 of 11

THIS DRAWING HAS BEEN GENERATED AND IS MAINTAINED BY A CAD SYSTEM. CHANGES SHALL ONLY BE INCORPORATED AS DIRECTED BY THE DESIGN ACTIVITY.

REVISIONS					
ZONE	LTR	DESCRIPTION	ECO NO.	DATE	APPROVED
	01	PRE-PRODUCTION		6/11/2001	
	B	ADD SHEET 11 OF 11 FOR AUX RLY WIRING	6602		


! IMPORTANT SAFETY INSTRUCTIONS !

Read and understand all instructions

! IMPORTANT!

THIS PRODUCT SHOULD ONLY BE INSTALLED BY TRAINED, QUALIFIED PERSONNEL. TO AVOID SHOCK, ALWAYS DISCONNECT POWER BEFORE SERVICING OR INSTALLING THIS PRODUCT.

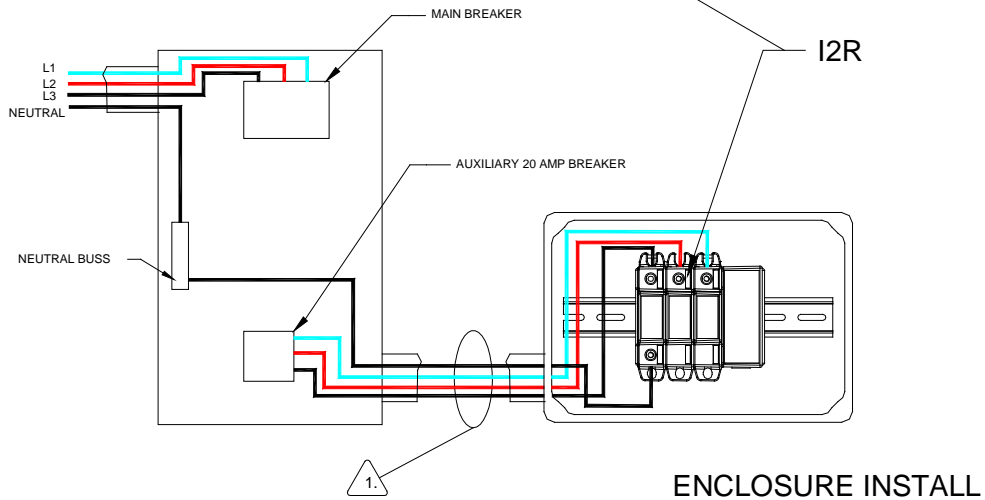
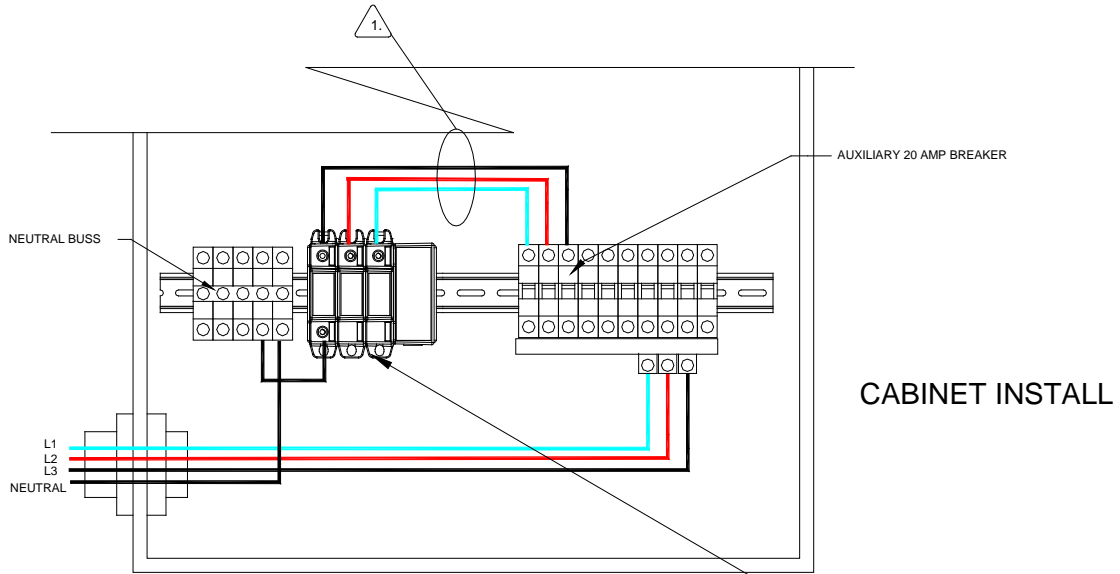
! SAVE THESE INSTRUCTIONS !

UNLESS OTHERWISE SPECIFIED, DIM. IN INCHES BEFORE PLATING. TOLERANCES ON: DECIMALS FRACTIONS=± .xx=± ANGLES= ° .XXX=±	DRAWN JDW	DATE 5/2/01	 SUPERIOR SURGE SUPPRESSION Hayden Lake, ID 83835			
	CHECKED					
	ENGRG APPD		TITLE	INSTALLATION DIAGRAM		
	PROJ APPD			I2R SERIES		
MATERIAL:	APPROVED		SIZE	CAGE	DRAWING NUMBER	REV
NOTICE: THE INFORMATION AND DESIGN CONTAINED HEREIN IS THE PROPERTY OF TRANSTECTOR SYSTEMS. WHO RESERVES ALL RIGHTS THERETO.			A	30992	1200-111	B
			SCALE=	NONE		SHEET 2 of 11

THIS DRAWING HAS BEEN GENERATED AND IS MAINTAINED BY A CAD SYSTEM. CHANGES SHALL ONLY BE INCORPORATED AS DIRECTED BY THE DESIGN ACTIVITY.

REVISIONS

ZONE	LTR	DESCRIPTION	ECO NO.	DATE	APPROVED
	01	PRE-PRODUCTION		6/11/2001	
	B	ADD SHEET 11 OF 11 FOR AUX RLY WIRING	6602		



NOTE: 1. LEADS TO BE CUT AS SHORT AS POSSIBLE.

UNLESS OTHERWISE SPECIFIED, DIM. IN INCHES BEFORE PLATING.
TOLERANCES ON: DECIMALS FRACTIONS=± .xx=±
ANGLES= ° .XXX=±

MATERIAL: N/A

DRAWN JDW
CHECKED
ENGRG APPD
PROJ APPD
APPROVED

DATE 5/2/01

TRANSTECTOR
SUPERIOR SURGE SUPPRESSION
Hayden Lake, ID 83835

TITLE INSTALLATION DIAGRAM
I2R SERIES

SIZE A	CAGE 30992	DRAWING NUMBER 1200-111	REV B
-----------	---------------	----------------------------	----------

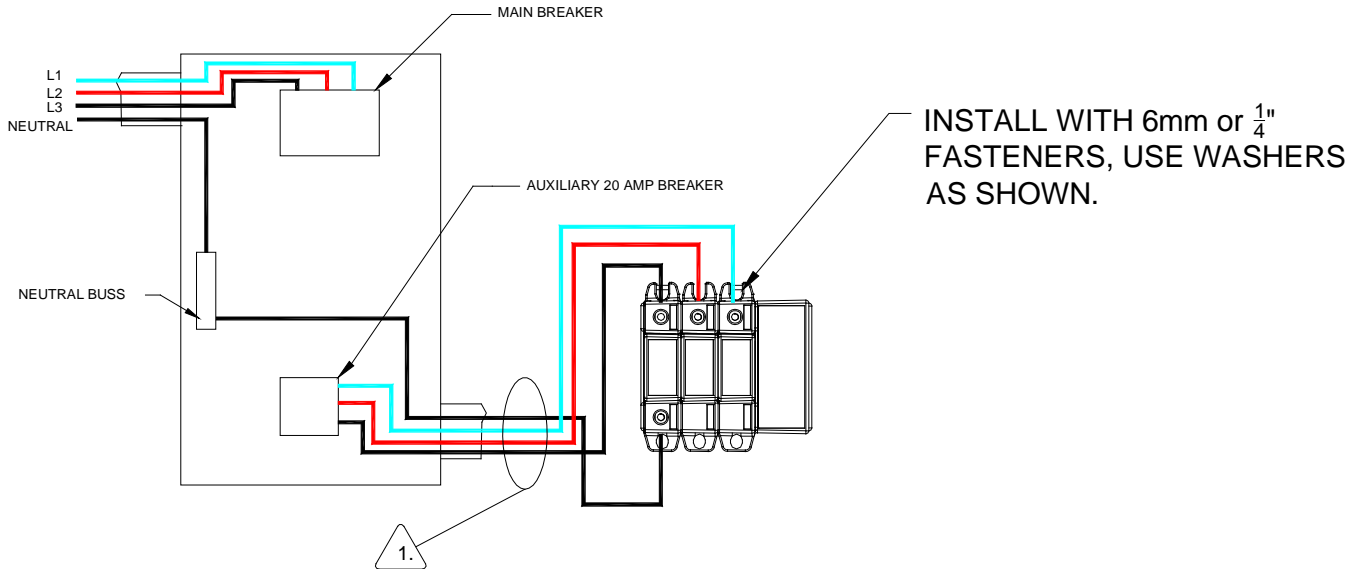
SCALE= NONE SHEET 3 of 11

THIS DRAWING HAS BEEN GENERATED AND IS MAINTAINED BY A CAD SYSTEM. CHANGES SHALL ONLY BE INCORPORATED AS DIRECTED BY THE DESIGN ACTIVITY.

REVISIONS

ZONE	LTR	DESCRIPTION	ECO NO.	DATE	APPROVED
	01	PRE-PRODUCTION		6/11/2001	
	B	ADD SHEET 11 OF 11 FOR AUX RLY WIRING	6602		

FASTENER-MOUNT INSTALL

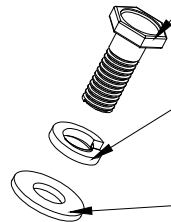


INSTALL WITH 6mm or 1/4" FASTENERS, USE WASHERS AS SHOWN.


6mm or 1/4" BOLT (TORQUE TO 2.7 Nm or 24 inlb)

SPLIT-LOCK OR STAR-LOCK WASHER RECOMMENDED

FLAT WASHER RECOMMENDED



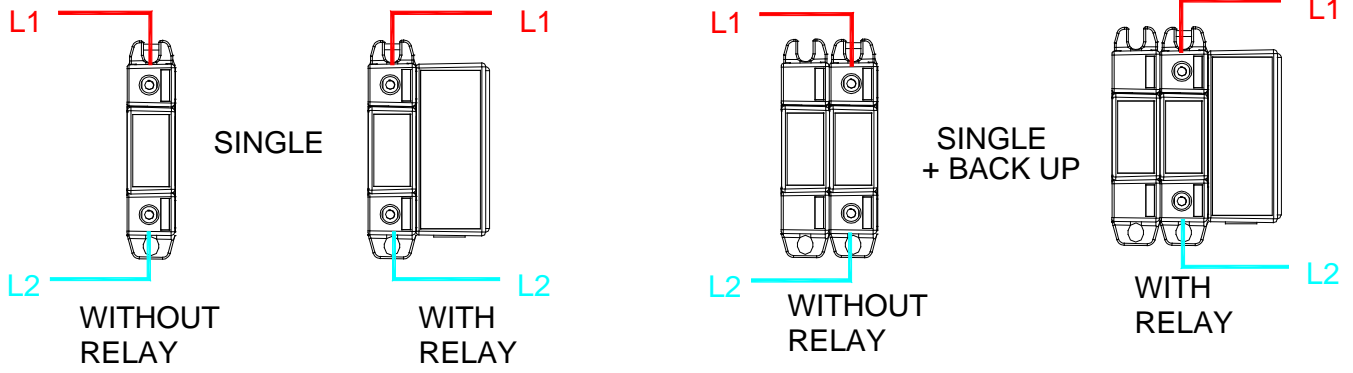
NOTE: 1. LEADS TO BE CUT AS SHORT AS POSSIBLE.

UNLESS OTHERWISE SPECIFIED, DIM. IN INCHES BEFORE PLATING. TOLERANCES ON: DECIMALS FRACTIONS=± .xx=± FRACTIONS=± .XXX=±	DRAWN JDW	DATE 5/02/01	 SUPERIOR SURGE SUPPRESSION Hayden Lake, ID 83835			
	CHECKED					
MATERIAL: N/A	ENGRG APPD		TITLE INSTALLATION DIAGRAM I2R SERIES			
	PROJ APPD					
NOTICE: THE INFORMATION AND DESIGN CONTAINED HEREIN IS THE PROPERTY OF TRANSTECTOR SYSTEMS. WHO RESERVES ALL RIGHTS THERETO.	APPROVED		SIZE A	CAGE 30992	DRAWING NUMBER 1200-111	REV B
			SCALE= NONE	SHEET 4 of 11		

THIS DRAWING HAS BEEN GENERATED AND IS MAINTAINED BY A CAD SYSTEM. CHANGES SHALL ONLY BE INCORPORATED AS DIRECTED BY THE DESIGN ACTIVITY.

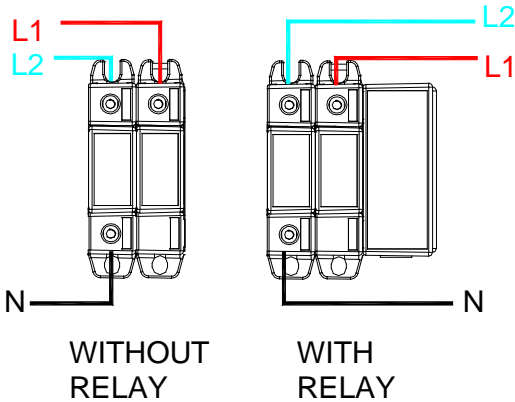
REVISIONS					
ZONE	LTR	DESCRIPTION	ECO NO.	DATE	APPROVED
	01	PRE-PRODUCTION		6/11/2001	
	B	ADD SHEET 11 OF 11 FOR AUX RLY WIRING	6602		

SINGLE PHASE MODELS

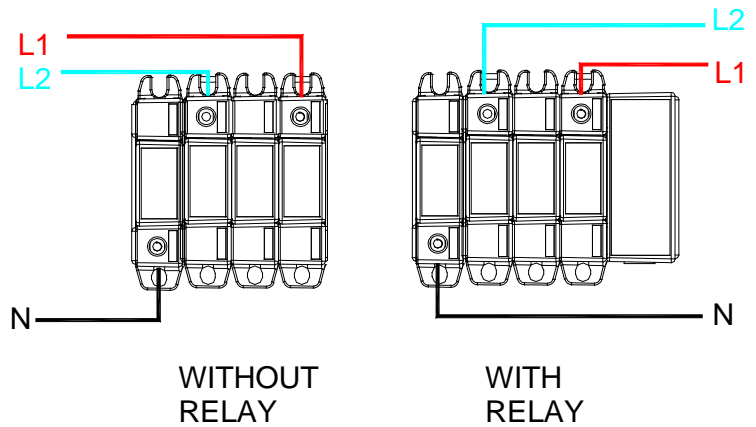


120T/240 SPLIT

WIRE RANGE MAX: 1-0 AWG (8.25MM)
MIN: 14 AWG (1.63MM)



120T/240 SPLIT + BACK UP



UNLESS OTHERWISE SPECIFIED, DIM. IN INCHES BEFORE PLATING.
TOLERANCES ON: DECIMALS
FRACTIONS=± .xx=±
ANGLES= ° .XXX=±

DRAWN JDW	DATE 5/02/01
CHECKED	
ENGRG APPD	
PROJ APPD	
APPROVED	

TRANSECTOR
SUPERIOR SURGE SUPPRESSION
Hayden Lake, ID 83835

TITLE INSTALLATION DIAGRAM
I2R SERIES

MATERIAL: N/A

NOTICE: THE INFORMATION AND DESIGN CONTAINED HEREIN IS THE PROPERTY OF TRANSECTOR SYSTEMS. WHO RESERVES ALL RIGHTS THERETO.

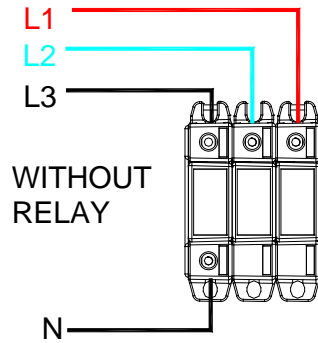
SIZE A	CAGE 30992	DRAWING NUMBER 1200-111	REV B
--------	------------	-------------------------	-------

SCALE= NONE SHEET 5 of 11

THIS DRAWING HAS BEEN GENERATED AND IS MAINTAINED BY A CAD SYSTEM. CHANGES SHALL ONLY BE INCORPORATED AS DIRECTED BY THE DESIGN ACTIVITY.

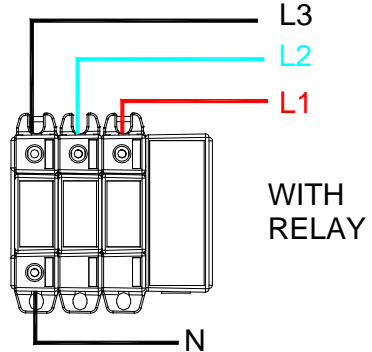
REVISIONS					
ZONE	LTR	DESCRIPTION	ECO NO.	DATE	APPROVED
	01	PRE-PRODUCTION		6/11/2001	
	B	ADD SHEET 11 OF 11 FOR AUX RLY WIRING	6602		

THREE PHASE MODELS

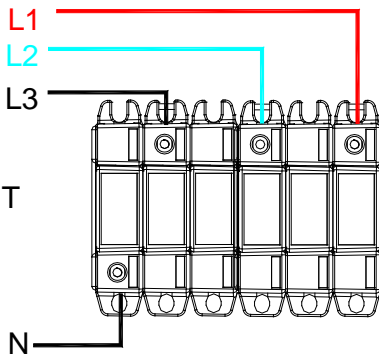


WITHOUT RELAY

3PHASE WYE

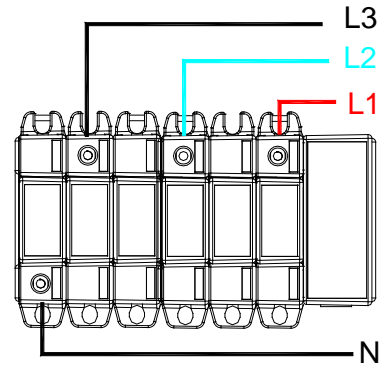


WITH RELAY



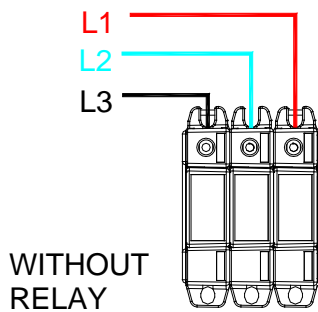
WITHOUT RELAY

3PHASE WYE + BACKUP



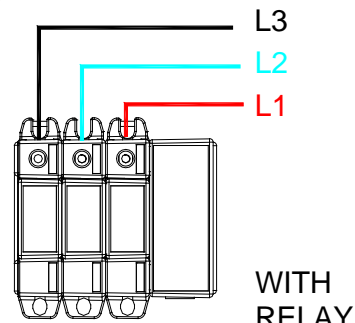
WITH RELAY

WIRE RANGE MAX: 1-0 AWG (8.25MM)
MIN: 14 AWG (1.63MM)



WITHOUT RELAY

3PHASE DELTA



WITH RELAY

UNLESS OTHERWISE SPECIFIED, DIM. IN INCHES BEFORE PLATING.
TOLERANCES ON: DECIMALS FRACTIONS=± .xx=± .XXX=±

DRAWN	JDW	DATE	5/22/01
CHECKED			
ENGRG APPD			
PROJ APPD			
APPROVED			

TRANSECTOR
SUPERIOR SURGE SUPPRESSION
Hayden Lake, ID 83835

TITLE INSTALLATION DIAGRAM
I2R SERIES

MATERIAL:

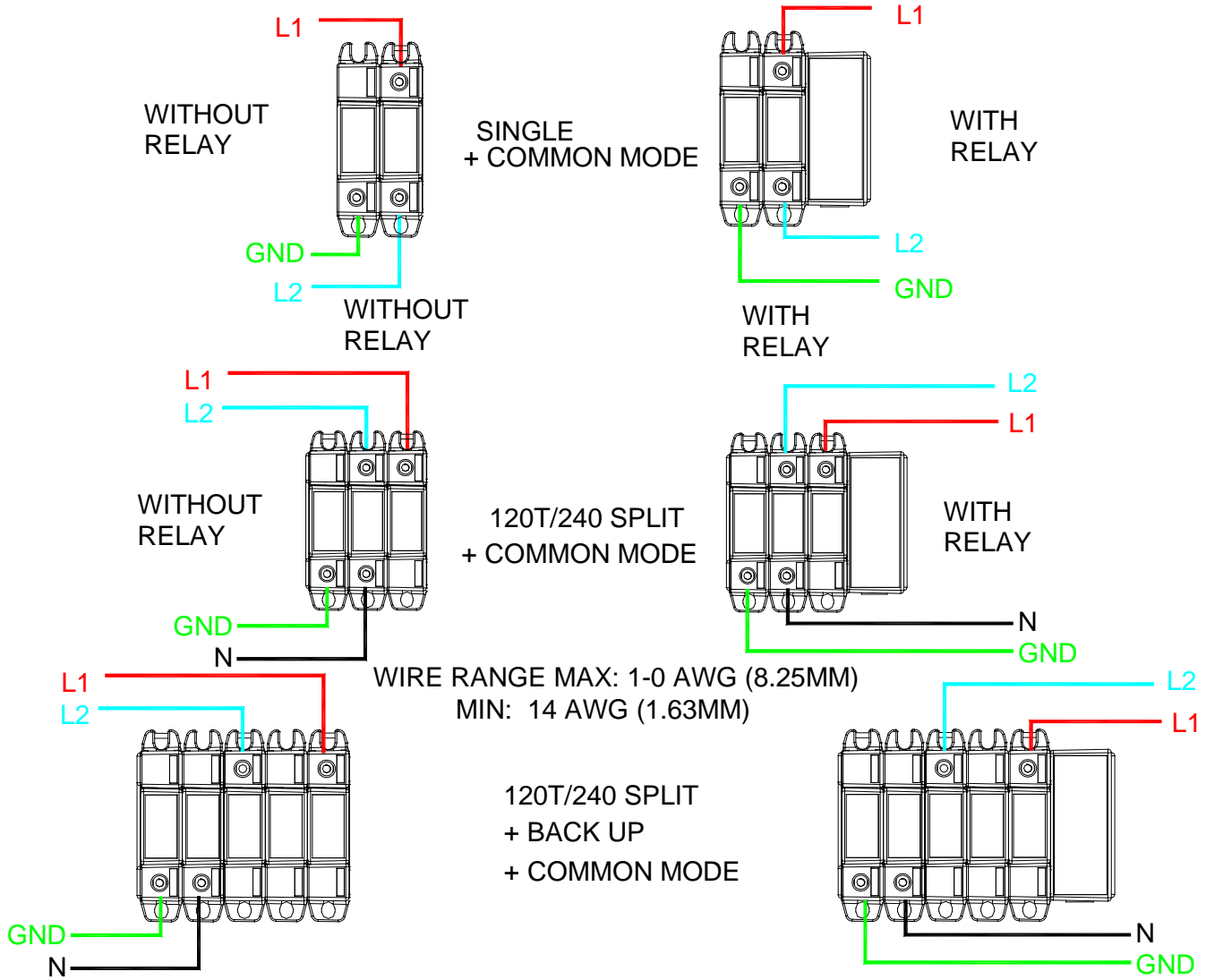
NOTICE: THE INFORMATION AND DESIGN CONTAINED HEREIN IS THE PROPERTY OF TRANSECTOR SYSTEMS, WHO RESERVES ALL RIGHTS THERETO.

SIZE	CAGE	DRAWING NUMBER	REV
A	30992	1200-111	B
SCALE=	NONE	SHEET 6 of 11	

THIS DRAWING HAS BEEN GENERATED AND IS MAINTAINED BY A CAD SYSTEM. CHANGES SHALL ONLY BE INCORPORATED AS DIRECTED BY THE DESIGN ACTIVITY.

REVISIONS					
ZONE	LTR	DESCRIPTION	ECO NO.	DATE	APPROVED
	01	PRE-PRODUCTION		6/11/2001	
	B	ADD SHEET 11 OF 11 FOR AUX RLY WIRING	6602		

COMMON MODE MODEL WIRING

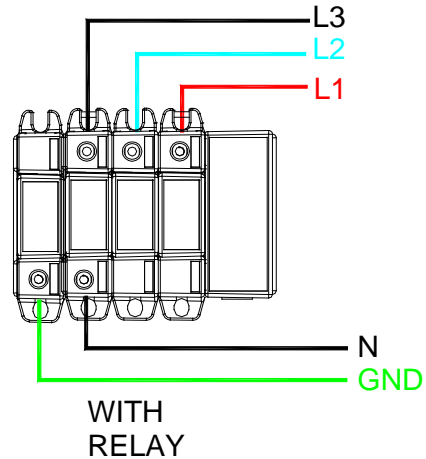
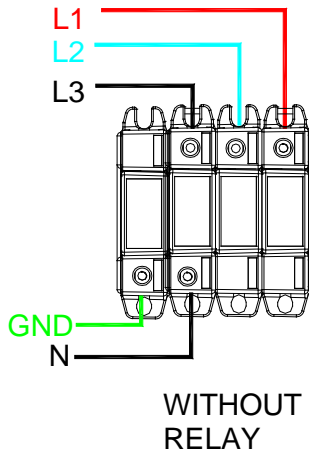


UNLESS OTHERWISE SPECIFIED, DIM. IN INCHES BEFORE PLATING. TOLERANCES ON: DECIMALS FRACTIONS=± .xx=± ANGLS= .° .XXX=±	DRAWN JDW	DATE 5/02/01	 Hayden Lake, ID 83835			
	CHECKED					TITLE INSTALLATION DIAGRAM I2R SERIES
MATERIAL: N/A	ENGRG APPD		SIZE A	CAGE 30992	DRAWING NUMBER 1200-111	REV B
	PROJ APPD		SCALE= NONE			SHEET 7 of 11
	APPROVED		NOTICE: THE INFORMATION AND DESIGN CONTAINED HEREIN IS THE PROPERTY OF TRANSECTOR SYSTEMS, WHO RESERVES ALL RIGHTS THERETO.			

THIS DRAWING HAS BEEN GENERATED AND IS MAINTAINED BY A CAD SYSTEM. CHANGES SHALL ONLY BE INCORPORATED AS DIRECTED BY THE DESIGN ACTIVITY.

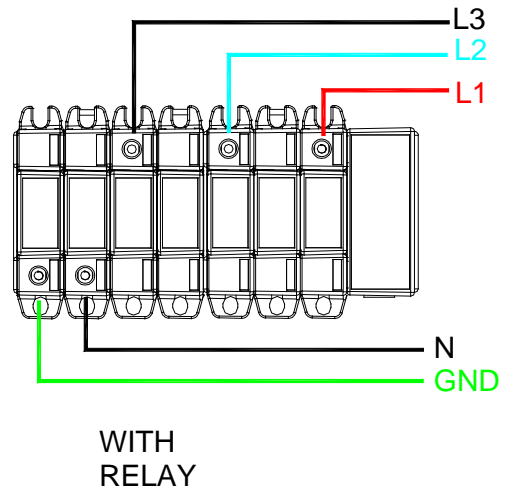
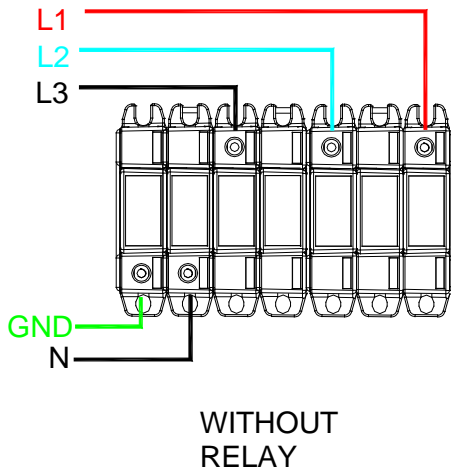
REVISIONS					
ZONE	LTR	DESCRIPTION	ECO NO.	DATE	APPROVED
	01	PRE-PRODUCTION		6/11/2001	
	B	ADD SHEET 11 OF 11 FOR AUX RLY WIRING	6602		

COMMON MODE MODEL WIRING



3 PHASE WYE
+ COMMON MODE

WIRE RANGE MAX: 1-0 AWG (8.25MM)
MIN: 14 AWG (1.63MM)



3 PHASE WYE
+ BACK UP
+ COMMON MODE

UNLESS OTHERWISE SPECIFIED, DIM. IN INCHES BEFORE PLATING.
TOLERANCES ON: DECIMALS
FRACTIONS=± .xx=±
ANGLES= ° .XXX=±

DRAWN	JDW	DATE	5/02/01
CHECKED			
ENGRG APPD			
PROJ APPD			
APPROVED			

TRANSTECTOR
SUPERIOR SURGE SUPPRESSION
Hayden Lake, ID 83835

TITLE INSTALLATION DIAGRAM
I2R SERIES

MATERIAL:

NOTICE: THE INFORMATION AND DESIGN CONTAINED HEREIN IS THE PROPERTY OF TRANSTECTOR SYSTEMS. WHO RESERVES ALL RIGHTS THERETO.

SIZE	CAGE	DRAWING NUMBER	REV
A	30992	1200-111	B
SCALE=	NONE	SHEET 8 of 11	

THIS DRAWING HAS BEEN GENERATED AND IS MAINTAINED BY A CAD SYSTEM. CHANGES SHALL ONLY BE INCORPORATED AS DIRECTED BY THE DESIGN ACTIVITY.

REVISIONS

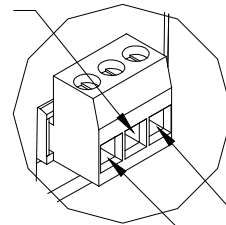
ZONE	LTR	DESCRIPTION	ECO NO.	DATE	APPROVED
	01	PRE-PRODUCTION		6/11/2001	
	B	ADD SHEET 11 OF 11 FOR AUX RLY WIRING	6602		

PLUG-IN SUPPRESSION MODULES AS SHOWN. NOTE THEY CAN ONLY BE INSTALLED ONE WAY. ALL PRIMARY MODULES MUST BE INSTALLED AND WORKING FOR RELAY MODULE TO FUNCTION

COMMON

RELAY MODULE CONTACTS

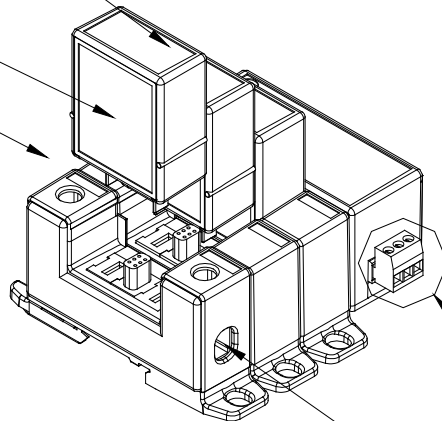
NORMALLY CLOSED
NORMALLY OPEN



NOTE: CONTACTS CHANGE STATE WITH LOSS OF POWER

LABEL SIDE OUT

L1 L2 L3



RELAY CONTACTS

NEUTRAL

UNLESS OTHERWISE SPECIFIED, DIM. IN INCHES BEFORE PLATING.
TOLERANCES ON: DECIMALS
FRACTIONS=± .xx=±
ANGLES= ° .XXX=±

DRAWN	JDW	DATE	5/02/01
CHECKED			
ENGRG APPD			
PROJ APPD			
APPROVED			

TRANSECTOR
SUPERIOR SURGE SUPPRESSION
Hayden Lake, ID 83835

TITLE INSTALLATION DIAGRAM
I2R SERIES

MATERIAL: N/A

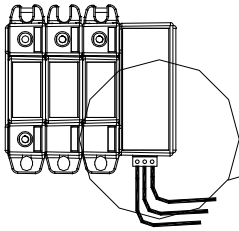
NOTICE: THE INFORMATION AND DESIGN CONTAINED HEREIN IS THE PROPERTY OF TRANSECTOR SYSTEMS. WHO RESERVES ALL RIGHTS THERETO.

SIZE	CAGE	DRAWING NUMBER	REV
A	30992	1200-111	B
SCALE=	NONE	SHEET 9 of 11	

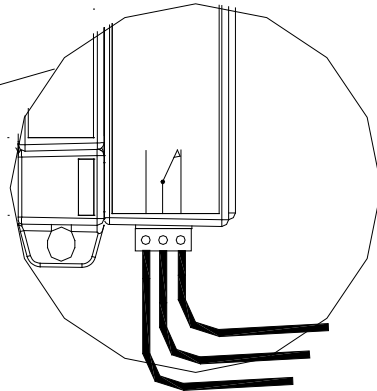
THIS DRAWING HAS BEEN GENERATED AND IS MAINTAINED BY A CAD SYSTEM. CHANGES SHALL ONLY BE INCORPORATED AS DIRECTED BY THE DESIGN ACTIVITY.

REVISIONS

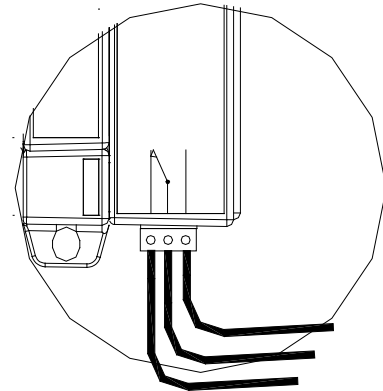
ZONE	LTR	DESCRIPTION	ECO NO.	DATE	APPROVED
	01	PRE-PRODUCTION		6/11/2001	
	B	ADD SHEET 11 OF 11 FOR AUX RLY WIRING	6602		



POWER ON
PRIMARY MODULES OK

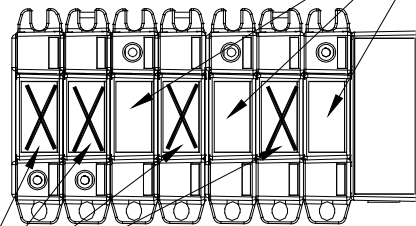


POWER OFF -OR-
PRIMARY MODULE FAIL



RELAY CONTACTS PROVIDE 3000 VAC ISOLATION
 RELAY CONTACTS ARE RATED FOR 3AMPS 30VDC -OR- 3AMPS 220VAC
 RELAY CONTACTS DO NOT MONITOR BACK UP OR COMMON MODE MODULES
 RELAY CONNECTOR ACCEPTS 0.5MM to 1.6MM (28 TO 14 AWG) WIRE

PRIMARY MODULES
(MONITORED)



NOT MONITORED BY RELAY

UNLESS OTHERWISE SPECIFIED, DIM. IN INCHES BEFORE PLATING.
 TOLERANCES ON: DECIMALS
 FRACTIONS=± .xx=±
 ANGLES= .° .XXX=±

DRAWN	JDW	DATE	5/02/01
CHECKED			
ENGRG APPD			
PROJ APPD			
APPROVED			



TITLE INSTALLATION DIAGRAM
I2R SERIES

MATERIAL: N/A

NOTICE: THE INFORMATION AND DESIGN CONTAINED HEREIN IS THE PROPERTY OF TRANSECTOR SYSTEMS, WHO RESERVES ALL RIGHTS THERETO.

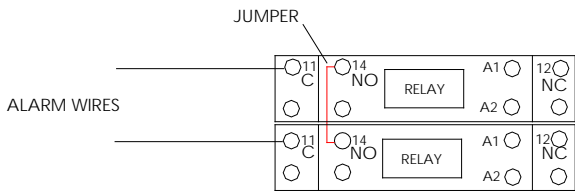
SIZE	CAGE	DRAWING NUMBER	REV
A	30992	1200-111	B
SCALE= NONE		SHEET 10 of 11	

THIS DRAWING HAS BEEN GENERATED AND IS MAINTAINED BY A CAD SYSTEM. CHANGES SHALL ONLY BE INCORPORATED AS DIRECTED BY THE DESIGN ACTIVITY.

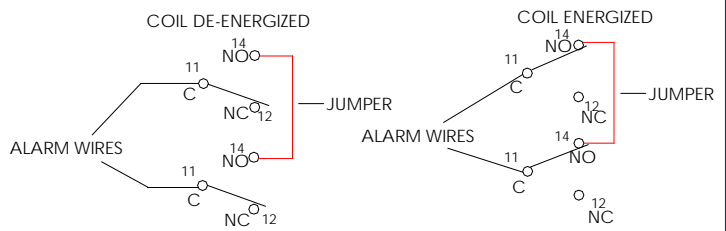
REVISIONS					
ZONE	LTR	DESCRIPTION	ECO NO.	DATE	APPROVED
	01	PRE-PRODUCTION		6/11/2001	
	B	ADD SHEET 11 OF 11 FOR AUX RLY WIRING	6602		

FOR I2R 120T/MOV W/ENCL/AUX RELAY (1101-814)

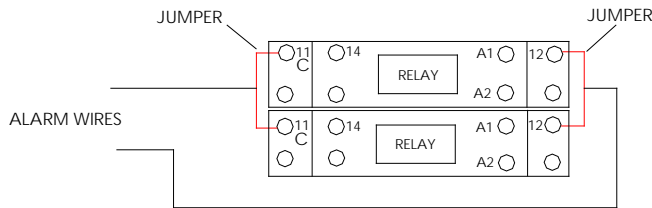
DIAGRAM FOR MONITORING TWO RELAYS WITH ONE PAIR OF RELAY WIRES



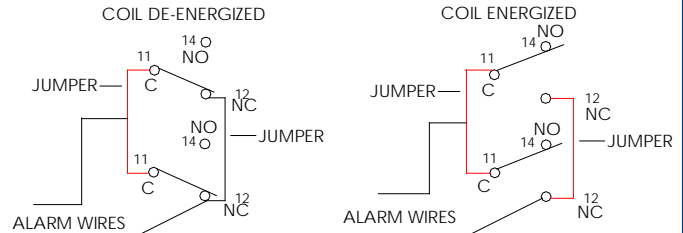
FOR MONITORING OPEN CONTACT UPON POWER LOSS



FOR MONITORING OPEN CONTACT UPON POWER LOSS



FOR MONITORING CLOSED CONTACT UPON POWER LOSS



FOR MONITORING CLOSED CONTACT UPON POWER LOSS

UNLESS OTHERWISE SPECIFIED, DIM. IN INCHES BEFORE PLATING.
TOLERANCES ON: DECIMALS
FRACTIONS=± .xx=±
ANGLES= .° .XXX=±

DRAWN	JDW	DATE	5/02/01
CHECKED	CDD		2/1/01
ENGRG APPD	JAH		2/1/01
PROJ APPD	MLH		2/5/01
APPROVED			

TRANSECTOR
SUPERIOR SURGE SUPPRESSION
Hayden Lake, ID 83835

TITLE INSTALLATION DIAGRAM
I2R SERIES

MATERIAL: N/A

NOTICE: THE INFORMATION AND DESIGN CONTAINED HEREIN IS THE PROPERTY OF TRANSECTOR SYSTEMS. WHO RESERVES ALL RIGHTS THERETO.

SIZE	CAGE	DRAWING NUMBER	REV
A	30992	1200-111	B
SCALE=	NONE	SHEET 11 of 11	