

12x10x06 Stainless Steel Weatherproof Outdoor IP24 NEMA 3R Enclosure, 120VAC Mount Plate Vented Lid

**TESS121006-10V**



**Features**

- 16ga. Brushed 304 Stainless Steel
- 304 Stainless steel latch with padlock eye
- NEMA Type 3R / IP24 rated
- Fully gasketed vented lid with filters, integral welded mounting flange & 316 Stainless steel hinge and removable pin
- Features aluminum mounting plate with surge protected duplex 120 VAC outlets

**Applications**

- Electrical & Electronics Instruments, Controls & Components, Wireless LAN WiFi equipment
- Indoor and outdoor installations
- Rapid Deployment Installations
- EMI/RFI Sensitive environments/equipment
- Protection of equipment from theft or damage

**Description**

The box is a rugged weatherproof enclosure that is ideal for both indoor and outdoor applications. Constructed from 16ga. Brushed 304 Stainless Steel that provides superior protection against corrosion, chemicals and wet conditions. The enclosure is constructed with UV protected and impact resistant material to ensure protection in any environment. The lid includes two vents with installed rain guards and filters. The integrated welded mounting flange allows the enclosure to be mounted directly to any flat wall surface provided proper screws are used into secure studs. The enclosure can also be mounted to a wide range of pole diameters with one of our optional pole mounting hardware kits. The fully gasketed lid features a 316 stainless steel removable hinge pin that allows for quick removal & reattachment with only a pair of pliers. The enclosure comes with a 304 stainless steel latch with padlock eye allowing you to secure the enclosure from tampering.

**Mounting Plate**

The aluminum mounting plate included with the TESS121006-10V features standard surge protected duplex 120 VAC outlets and a terminal block for easy hook up to the externally provided line power. The enclosure also features holes for two N-Bulkhead Lightning Protectors or Connectors, a grounding lug and cable conduit connector.

The TEF-PMT series of pole mounting kits allow the populated enclosure to be securely mounted to a variety of different size poles.

Compatible versions include TEF-PMT13, TEF-PMT16, TEF-PMT28, TEF-PMT29, TEF-PMT30, & TEF-PMT33

**Size**

|                    |                     |             |
|--------------------|---------------------|-------------|
| Outer Height       | 13.5 in             | [342.9 mm]  |
| Outer Width        | 11.25 in            | [285.75 mm] |
| Outer Depth        | 5.83 in             | [148.08 mm] |
| Inner Height       | 13.3 in             | [337.82 mm] |
| Inner Width        | 10 in               | [254 mm]    |
| Inner Depth        | 5.69 in             | [144.53 mm] |
| Weight             | 15.2 lbs            | [6.89 kg]   |
| Enclosure Material | 304 Stainless Steel |             |

Click the following link (or enter part number in "SEARCH" on website) to obtain additional part information including price, inventory and certifications:  
[12x10x06 Stainless Steel Weatherproof Outdoor IP24 NEMA 3R Enclosure, 120VAC Mount Plate Vented Lid TESS121006-10V](#)

12x10x06 Stainless Steel Weatherproof Outdoor IP24 NEMA  
3R Enclosure, 120VAC Mount Plate Vented Lid

## TESS121006-10V



### Environmental Specifications

|                                |                                 |
|--------------------------------|---------------------------------|
| Temperature Rating             | -40° to 320° F [-40° to 160° C] |
| NEMA Rating                    | 3R                              |
| Ingress Protection (IP) Rating | IP24                            |

### Compliance Certifications

|           |    |
|-----------|----|
| UL Listed | No |
|-----------|----|

Transtector Systems specializes in protection of highly sensitive, low voltage equipment through its patented, non-degrading silicon diode technology and custom filters. Our power quality expertise translates into a diverse product offering including AC, DC, and signal applications as well as integrated cabinets, power distribution panels and EMP hardened devices.

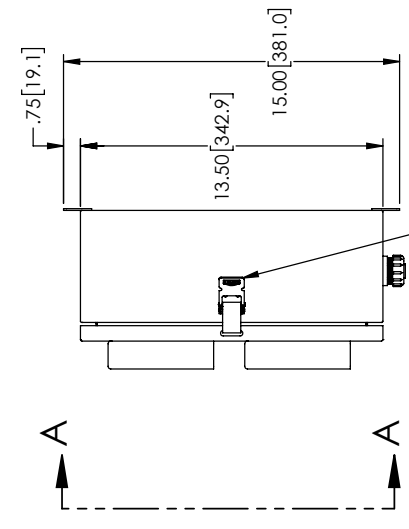
Click the following link (or enter part number in "SEARCH" on website) to obtain additional part information including price, inventory and certifications: [12x10x06 Stainless Steel Weatherproof Outdoor IP24 NEMA 3R Enclosure, 120VAC Mount Plate Vented Lid TESS121006-10V](https://www.transtector.com/12x10x06-stainless-steel-weatherproof-nema-3r-enclosure-tess121006-10v-p.aspx)

URL: <https://www.transtector.com/12x10x06-stainless-steel-weatherproof-nema-3r-enclosure-tess121006-10v-p.aspx>

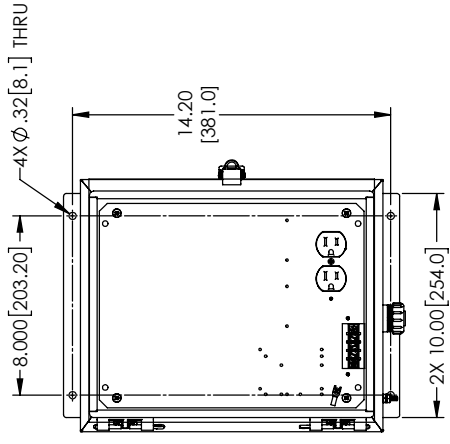
The information contained in this document is accurate to the best of our knowledge and representative of the part described herein. It may be necessary to make modifications to the part and/or the documentation of the part, in order to implement improvements. Transtector reserves the right to make such changes as required. Unless otherwise stated, all specifications are nominal. Transtector does not make any representation or warranty regarding the suitability of the part described herein for any particular purpose, and Transtector does not assume any liability arising out of the use of any part or documentation.

TESS121006-10V CAD Drawing

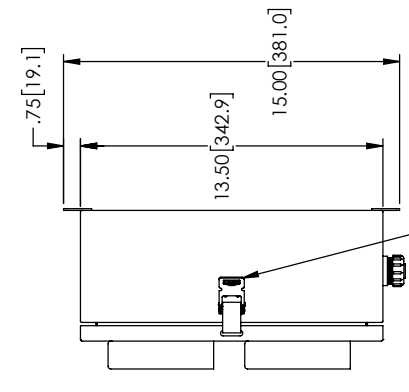
| REVISIONS |                 |            |           |
|-----------|-----------------|------------|-----------|
| REV.      | DESCRIPTION     | DATE       | APPROVED  |
| A         | INITIAL RELEASE | 03/16/2020 | MMARTINEZ |



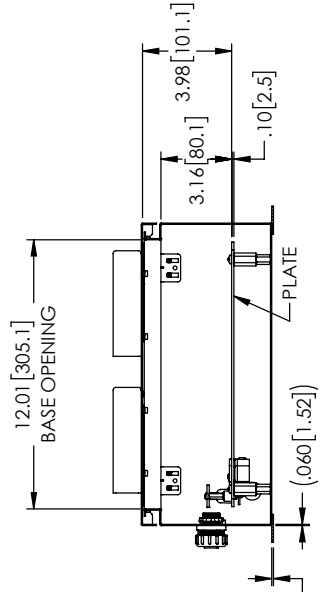
VIEW A-A



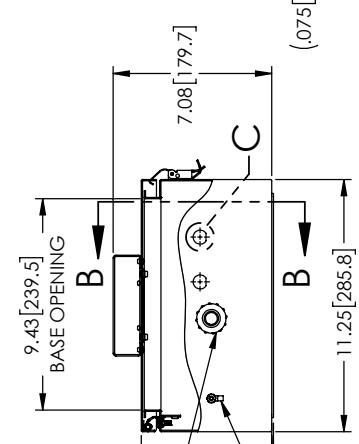
LID NOT SHOWN FOR CLARITY



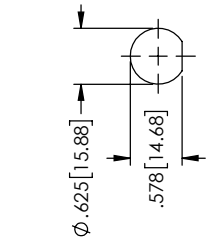
STAINLESS STEEL LATCH



SECTION B-B



DETAIL C  
2X



|   |   |
|---|---|
| <p><b>TRANSTECTOR</b><br/>an INFINITI brand</p> <p>10701 Airport Road, Hayden, ID 83835<br/>Phone: 1.208.635.6400   1.800.882.9110<br/>Fax: 1.208.955.2041<br/>Website: www.transtector.com<br/>E-mail: sales@transtector.com</p> | <p>THIRD-ANGLE PROJECTION</p> <p>THE INFORMATION AND DRAWING IS THE PROPERTY OF TRANSTECTOR, INC. ALL RIGHTS RESERVED.</p> <p>SHEET 1 OF 1</p> <p>SCALE N/A</p>   |
|   | <p>UNLESS OTHERWISE SPECIFIED LEADING DIMENSIONS ARE INCHES DIMENSIONS IN [ ] ARE MILLIMETERS</p> <p>TOLERANCES:</p> <p>X = ±.2 [5.08] FRACTIONS<br/>.XX = ±.02 [ .51 ] ± 1/32<br/>XXX = ±.005 [ .13 ] ANGLES ± 1°</p> <p>CABLE LENGTH (L) TOLERANCES:<br/>L ≤ 12 [305] = +1 [25] / -0<br/>12 [305] &lt; L ≤ 60 [1524] = +2 [51] / -0<br/>60 [1524] &lt; L ≤ 120 [3048] = +4 [102] / -0<br/>120 [3048] &lt; L ≤ 300 [7620] = +6 [152] / -0<br/>300 [7620] &lt; L = +5% / -0</p> <p>ALL DIMENSIONS SHOWN ARE FOR REFERENCE ONLY.</p> |
| <p>SIZE A</p> <p>CAGE CODE 30992</p> <p>DRAWN BY DZINN</p> <p>ITEM NO. TESS121006-10V</p>   | <p>REV A</p>  |

THESE COMMODITIES, TECHNOLOGY OR SOFTWARE WERE EXPORTED FROM THE UNITED STATES IN ACCORDANCE WITH THE EXPORT ADMINISTRATION REGULATIONS. DIVERSION CONTRARY TO U.S. LAW PROHIBITED.