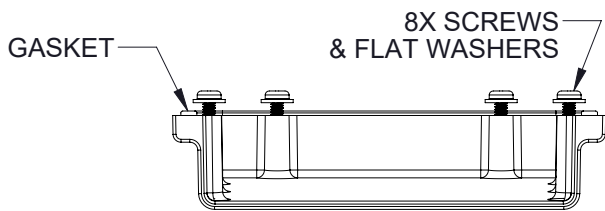
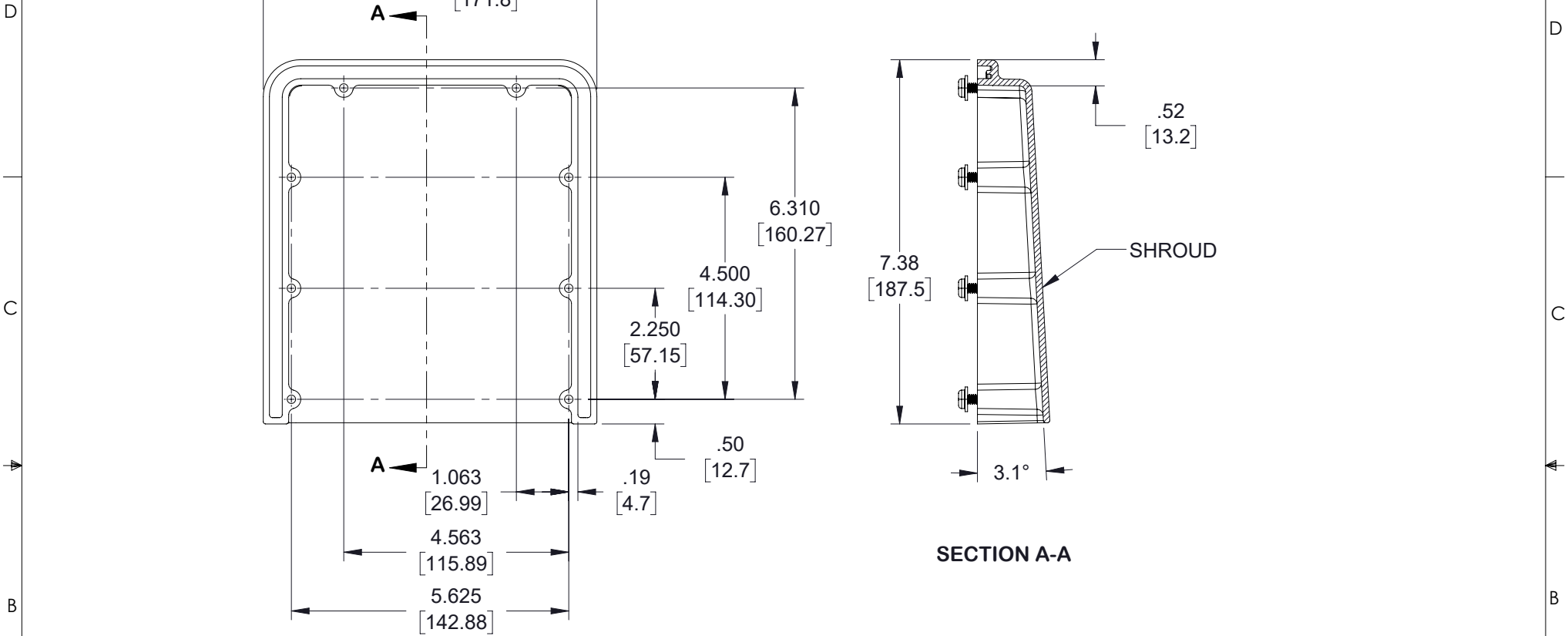


THE INFORMATION CONTAINED IN THIS DRAWING IS THE SOLE PROPERTY OF TRANSTECTOR, INC. ANY REPRODUCTION IN PART OR WHOLE WITHOUT THE WRITTEN PERMISSION OF TRANSTECTOR, INC. IS PROHIBITED.

REVISIONS			
REV	DESCRIPTION	DATE	APPROVED
A	INITIAL RELEASE	11/06/2019	MMARTINEZ



SHROUD MATERIAL:  
POLYCARBONATE (DARK GRAY)

KIT CONTAINS 2:  
SHROUD, GASKET,  
8X HARDWARE (16 TOTAL)

UNLESS OTHERWISE SPECIFIED, DIMENSIONS ARE IN INCHES [mm]  OVERALL CABLE LENGTH TOLERANCE: ≤12 [305] = +1 [25] / -0 >12 [305] ≤60 [1524] = +2 [51] / -0 >60 [1524] ≤120 [3048] = +4 [102] / -0 >120 [3048] ≤300 [7620] = +6 [152] / -0 >300 [7620] = +5% / -0  ALL OTHER DIMENSIONAL TOLERANCES: .X = ± .2 [5]      FRACTIONS ± 1/32 .XX = ± .02 [5]      ANGLES ± 1° .XXX = ± .005 [13]	APPROVALS DRAWN BY DZINN CHECKED BY DFRISIELLO APPROVED BY MMARTINEZ	DATE 11/06/2019 11/06/2019 11/06/2019	 an INFINITI® brand 10701 Airport Road, Hayden, ID 83835 Phone: 1.208.635.6400 Fax: 1.208.955.2041
	CONFIGURATION DETAILS OF UNDIMENSIONED FEATURES MAY VARY  COLOR VARIATIONS MAY OCCUR	CATEGORY <b>ENCLOSURE</b>	PRODUCT DESCRIPTION <b>Fan Shroud Kit - 2pcs (Includes gasket and screws)</b>
THIRD-ANGLE PROJECTION 	SIZE <b>A</b>	CAGE CODE <b>30992</b>	DWG. NO. <b>TEPC-V2</b>