

AC SPD 120/240V Split-Phase, 25kA/Phase



SP25-240SP-TT

SP25 120/240V Split-Phase

Features

- UL 1449 5th Edition Listed, Type 2 SPDs
- Meets NEC Article 230.67 for Dwelling Unit SPD Requirement
- High Capacity 25kA MOV Protection
- No External Fuses Required
- Local and Remote Visual Status Indicators
- NEMA 4X Enclosure Rating, Watertight and Corrosion-Proof

Applications

- Panelboards
- Communications Base Stations
- Industrial Automation
- Electric Vehicle Charging Stations
- Renewable Energy
- IT & Data Centers
- Automatic Transfer Switches
- Motor Control Centers

Description

AC surge protector (also known as SPD or lightning protector) SP25-240SP-TT from Transtector is a UL1449 5th Ed. panel style SPD that utilizes state of the art MOV technology to protect critical equipment that operates on a 120/240Vac Split-Phase electrical service. This surge protector provides effective protection against electrical transient surges that are generated both by external lightning events and by internal switching events and supports long-term system reliability by safely shunting high amounts of transient energy while maintaining a very low clamping voltage. Transtector AC surge protectors are available in stock with same day shipping.

Electrical Specifications

Description	Minimum	Typical	Maximum	Units
Service Voltages		240/120		Vac
Service Type		Split-Phase		
Frequency	50		60	Hz
Maximum Continuous Operating Voltage (MCOV) L - L			300	Vac
Maximum Continuous Operating Voltage (MCOV) L - N			150	Vac

Surge Protection Specification

Description	Minimum	Typical	Maximum	Units
Surge Protection Technology		MOV		
Protection Modes		L-N, L-L		
8/20 μ s Surge Current			25	kA
Nominal Discharge Current Rating (In)		10		kA
VPR 8/20 μ s L - L			1,500	Vpk
VPR 8/20 μ s L - N			700	Vpk
SCCR (Short Circuit Current Rating)		200		kAIC

AC SPD 120/240V Split-Phase, 25kA/Phase



SP25-240SP-TT

Mechanical Specifications

Size

Height	1.63 in	[41.4 mm].
Width	2.87 in	[72.9 mm]
Depth	3.54 in	[89.92 mm]
Weight	0.4 lbs	[181.44 g]
Housing Material and Plating	Plastic	

Environmental Specifications

Temperature Range (Operational)	-40 to +80 deg C
Temperature Range (Storage)	-40 to +80 deg C
Environmental Protection Rating	NEMA 4X

Installation

Mount Type	Wall Mount
------------	------------

Compliance Certifications

UL Compliant Certifications	Yes UL 1449 5th Ed.
-----------------------------	------------------------

Transtector Systems specializes in protection of highly sensitive, low voltage equipment through its patented, non-degrading silicon diode technology and custom filters. Our power quality expertise translates into a diverse product offering including AC, DC, and signal applications as well as integrated cabinets, power distribution panels and EMP hardened devices.

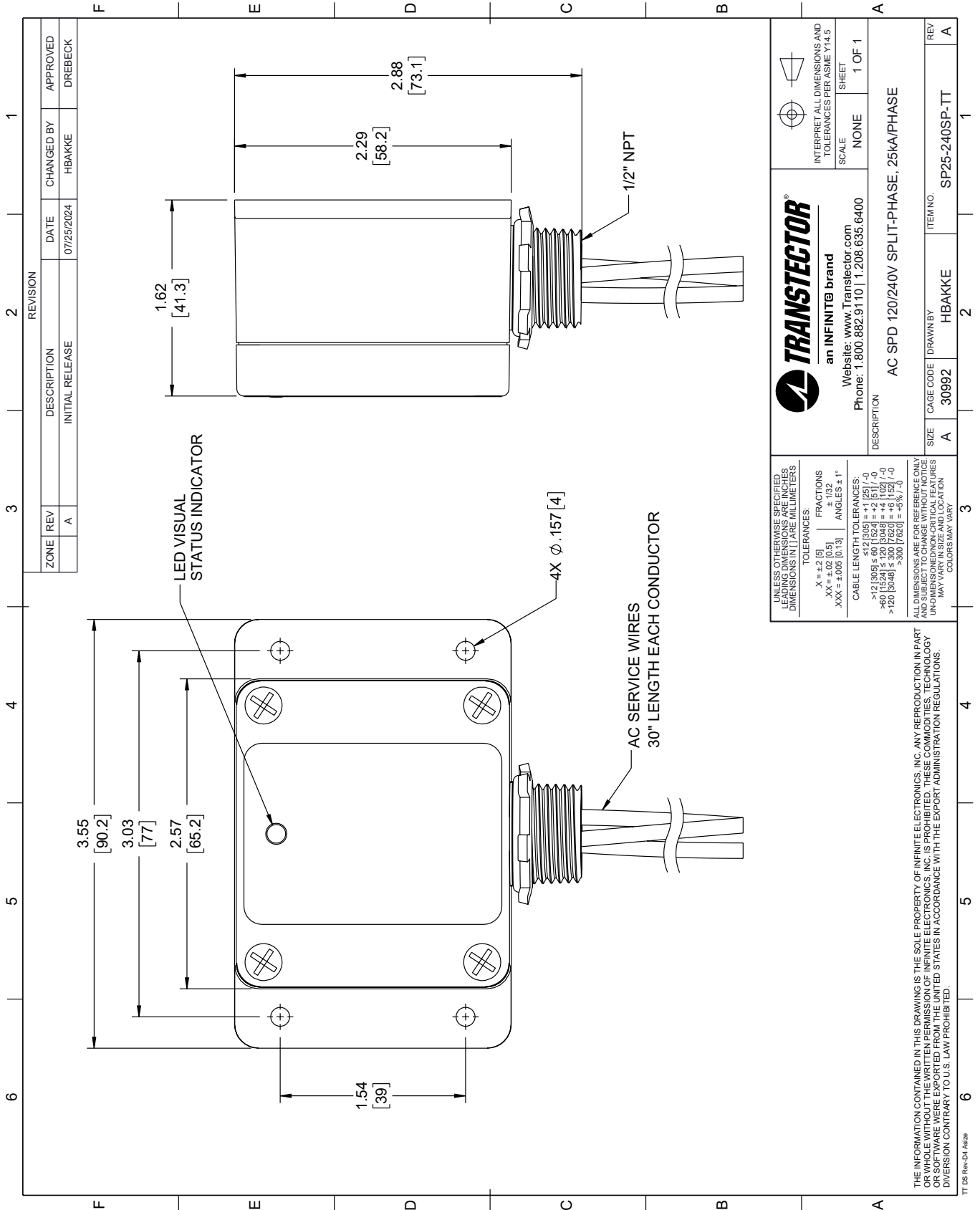
Click the following link (or enter part number in "SEARCH" on website) to obtain additional part information including price, inventory and certifications: [AC SPD 120/240V Split-Phase, 25kA/Phase SP25-240SP-TT](https://www.transtector.com/ac-surge-protector-spd-panel-240-120-sp25-240sp-tt-p.aspx)

URL: <https://www.transtector.com/ac-surge-protector-spd-panel-240-120-sp25-240sp-tt-p.aspx>

The information contained within this document is accurate to the best of our knowledge and representative of the part described herein. It may be necessary to make modifications to the part and/or the documentation of the part in order to implement improvements. Transtector reserves the right to make such changes as required. Unless otherwise stated, all specifications are nominal. Transtector does not make any representation or warranty regarding the suitability of the part described herein for any particular purpose, and Transtector does not assume liability arising out of the use of any part or document.

SP25-240SP-TT CAD Drawing

AC SPD 120/240V Split-Phase, 25kA/Phase



REVISION		DATE	CHANGED BY	APPROVED
ZONE	REV	DESCRIPTION	INITIAL RELEASE	
	A			DREBECK

TRANSTECTOR
an INFINITE brand

Website: www.Transector.com
Phone: 1.800.882.9110 | 1.208.635.6400

SCALE: NONE
SHEET: 1 OF 1

DESCRIPTION: AC SPD 120/240V SPLIT-PHASE, 25KA/PHASE

SIZE: A
CAGE CODE: 30992
DRAWN BY: HBAKKE
ITEM NO.: SP25-240SP-TT

REV: A

UNLESS OTHERWISE SPECIFIED, LEADING DIMENSIONS ARE IN INCHES. DIMENSIONS IN [] ARE MILLIMETERS.

TOLERANCES:

.X = ±.2 [5] FRACTIONS ± 1/32
.XX = ±.02 [0.5] ANGLES ± 1°
.XXX = ±.005 [0.13]

CABLE LENGTH TOLERANCES:

<12 [305] ≤ 60 [1524] = +1 [25] / -0
>60 [1524] ≤ 120 [3048] = +4 [102] / -0
>120 [3048] ≤ 300 [7620] = +5% / -0

ALL DIMENSIONS ARE FOR REFERENCE ONLY. UNDIMENSIONED/NON-CRITICAL FEATURES MAY VARY IN SIZE AND LOCATION. COLORS MAY VARY.

THE INFORMATION CONTAINED IN THIS DRAWING IS THE SOLE PROPERTY OF INFINITE ELECTRONICS, INC. ANY REPRODUCTION IN PART OR WHOLE WITHOUT THE WRITTEN PERMISSION OF INFINITE ELECTRONICS, INC. IS PROHIBITED. THESE COMMODITIES, TECHNOLOGY OR SERVICES ARE EXPORT RESTRICTED AND THEIR EXPORT FROM THE UNITED STATES IN ACCORDANCE WITH THE EXPORT ADMINISTRATION REGULATIONS. DIVERSION CONTRARY TO U.S. LAW PROHIBITED.

TT DS Rev-D4 A42z