

AC Surge Protector SPD TS 120 Vac Single-Phase 20 A SASD, MOV 10 kA

1101-557
TS 120-520SM



Features

- 100% SASD Protection
- Suppression Status LED
- Cord Connected

Applications

- Electrical Panelboards
- Industrial Automation
- Communications Base Stations
- IT & Data Centers
- Switchgear
- Motor Control Centers
- Automatic Transfer Switches
- Wastewater Treatment
- Oil & Gas
- LED Lighting
- Schools
- Hospitals

Description

AC surge protector (also known as SPD or lightning protector) 1101-557 from Transtector is a plug-in style SPD that utilizes state of the art SASD/MOV technology to protect critical equipment that operates on a 120 Vac Single-Phase electrical service. This surge protector provides effective protection against electrical transient surges that are generated both by external lightning events and by internal switching events and supports long-term system reliability by safely shunting high amounts of transient energy while maintaining a very low clamping voltage. Transtector AC surge protectors are available in stock with same day shipping.

Electrical Specifications

Description	Minimum	Typical	Maximum	Units
Service Voltages		120		Vac
Service Type		Single-Phase		
Current Rating			20	A
Maximum Continuous Operating Voltage (MCOV)				
L - N			140	Vac

Surge Protection Specification

Description	Minimum	Typical	Maximum	Units
Surge Protection Technology		SASD, MOV		
Protection Modes		L-N/G		
8/20 μ s Surge Current			10	kA
10/1000 μ s Surge Current			0.15	kA

Click the following link (or enter part number in "SEARCH" on website) to obtain additional part information including price, inventory and certifications:
[AC Surge Protector SPD TS 120 Vac Single-Phase 20 A SASD, MOV 10 kA 1101-557](#)

AC Surge Protector SPD TS 120 Vac Single-Phase 20 A SASD, MOV 10 kA



1101-557
TS 120-520SM

Nominal Discharge Current Rating (In)	1.2		kA
Vpl 8/20 μ s L-N	340 @ 1.2kA	1,400 @ 10kA	Vpk
Response Time		5	ns

Mechanical Specifications

Size

Height	6.5 in	[165.1 mm]
Width	3 in	[76.2 mm]
Depth	2.25 in	[57.15 mm]
Weight	0.7 lbs	[317.51 g]
Housing Material and Plating	Noryl N190X	

Environmental Specifications

Temperature Range (Operational)	-30 to +50 deg C
Humidity	90% non-condensing

Installation

Mount Type	DIN Rail
------------	----------

Transtector Systems specializes in protection of highly sensitive, low voltage equipment through its patented, non-degrading silicon diode technology and custom filters. Our power quality expertise translates into a diverse product offering including AC, DC, and signal applications as well as integrated cabinets, power distribution panels and EMP hardened devices.

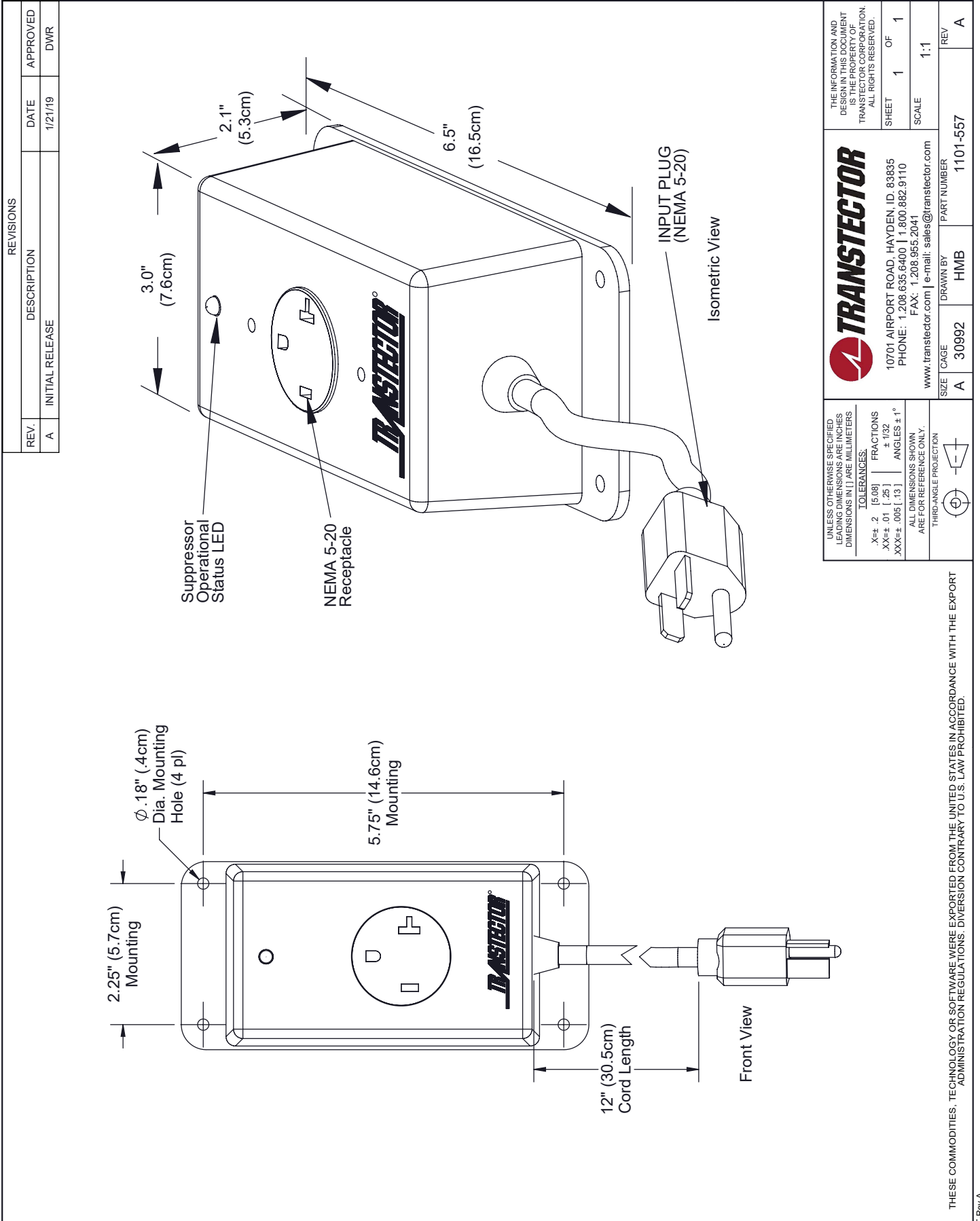
Click the following link (or enter part number in "SEARCH" on website) to obtain additional part information including price, inventory and certifications: [AC Surge Protector SPD TS 120 Vac Single-Phase 20 A SASD, MOV 10 kA 1101-557](https://www.transtector.com/ac-surge-protector-spd-ts-120-vac-1101-557-p.aspx)

URL: <https://www.transtector.com/ac-surge-protector-spd-ts-120-vac-1101-557-p.aspx>

The information contained in this document is accurate to the best of our knowledge and representative of the part described herein. It may be necessary to make modifications to the part and/or the documentation of the part, in order to implement improvements. Transtector reserves the right to make such changes as required. Unless otherwise stated, all specifications are nominal. Transtector does not make any representation or warranty regarding the suitability of the part described herein for any particular purpose, and Transtector does not assume any liability arising out of the use of any part or documentation.

AC Surge Protector SPD TS 120 Vac Single-Phase 20 A SASD, MOV 10 kA

1101-557 CAD Drawing



THE INFORMATION AND DESIGN IN THIS DOCUMENT IS THE PROPERTY OF TRANSTECTOR CORPORATION. ALL RIGHTS RESERVED.		SHEET 1 OF 1	REV A
TRANSTECTOR 10701 AIRPORT ROAD, HAYDEN, ID, 83835 PHONE: 1.208.635.6400 1.800.882.9110 FAX: 1.208.955.2041 www.transtector.com e-mail: sales@transtector.com		SCALE 1:1	REV A
SIZE A	CAGE 30992	DRAWN BY HMB	PART NUMBER 1101-557

THESE COMMODITIES, TECHNOLOGY OR SOFTWARE WERE EXPORTED FROM THE UNITED STATES IN ACCORDANCE WITH THE EXPORT ADMINISTRATION REGULATIONS. DIVERSION CONTRARY TO U.S. LAW PROHIBITED.